

SCHEMATIC DIAGRAM FOR YP,S AND S/G TYPES

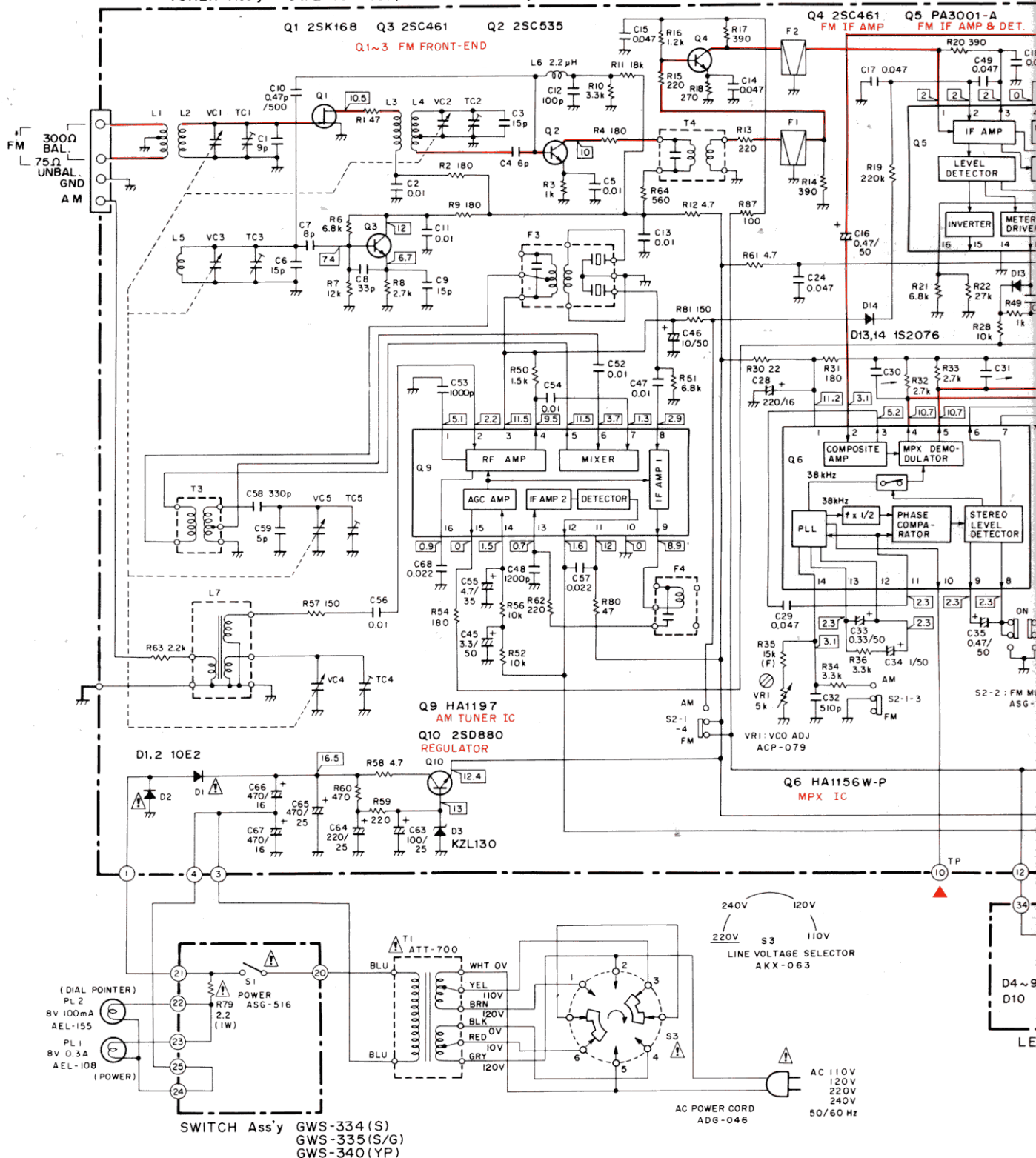
TUNER Ass'y GWE-153 (S), GWE-154 (S/G), GWE-156 (YP)

A

B

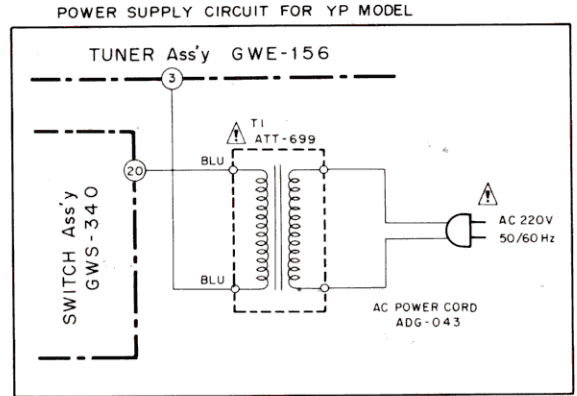
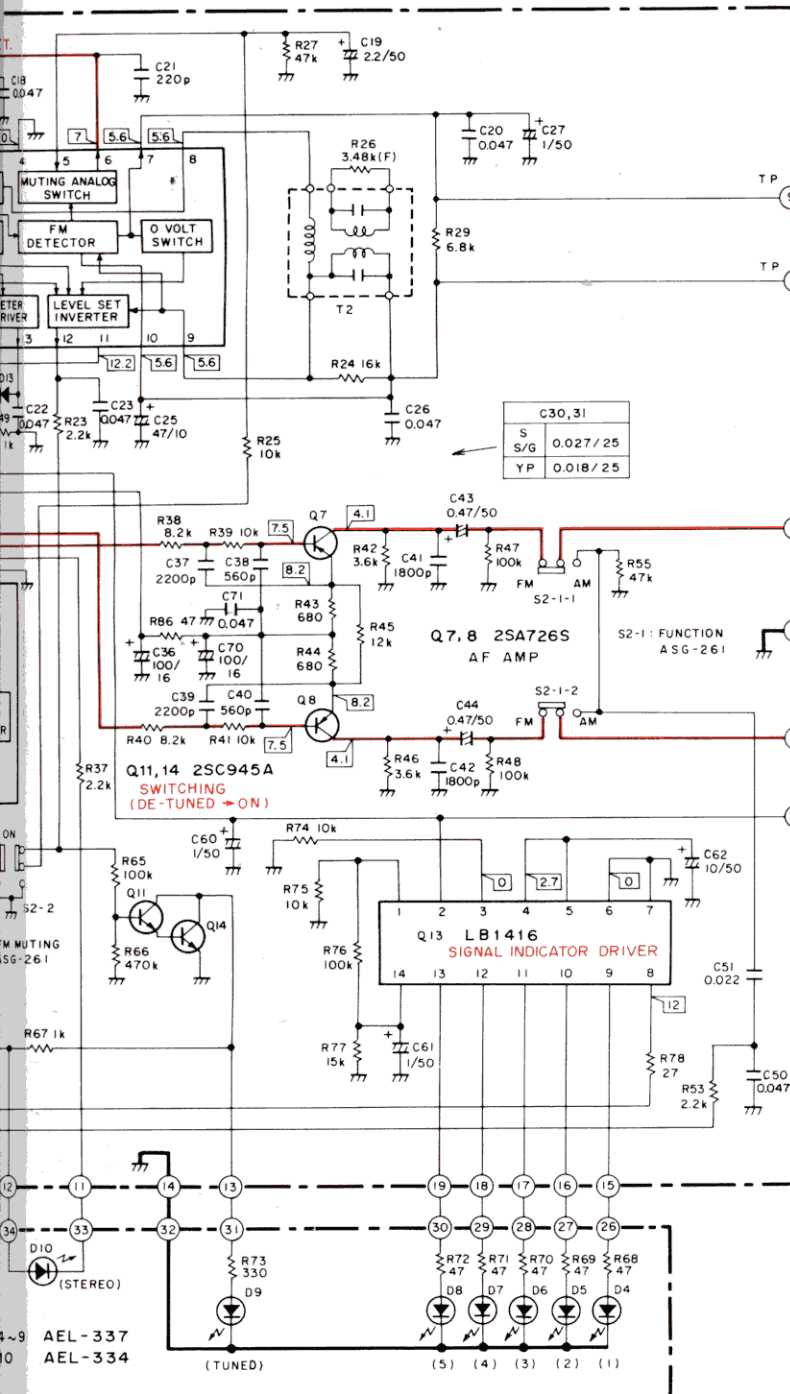
C

D





NOTE:


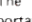
The indicated semiconductors are representative ones only. Other alternative semiconductors may be used and are listed in the parts list.



1. RESISTORS:
 Indicated in Ω, ¼W, ±5% tolerance unless otherwise noted k : kΩ,
 M : MΩ, (F) : ±1%, (G) : ±2%, (K) : ±10%, (M) : ±20% tolerance

2. CAPACITORS:
 Indicated in capacity (μF)/voltage (V) unless otherwise noted p : pF
 Indication without voltage is 50V except electrolytic capacitor.

3. VOLTAGE
 : DC voltage (V) at no input signal
 : Signal voltage at FM 400Hz 75kHz DEV.

4. OTHERS:
 : Adjusting point.
 The  mark found on some component parts indicates the importance of the safety factor of the part. Therefore, when replacing, be sure to use parts of identical designation.

This is the basic schematic diagram, but the actual circuit may vary due to improvements in design.

SWITCHES:

- S1 : POWER ON - STAND-BY
- S2-1: FUNCTION FM - AM
- S2-2: FM MUTING ON - OFF
- S3 : LINE VOLTAGE SELECTOR
110V - 120V - 220V - 240V

The underlined indicates the switch position.

A

B

C

D